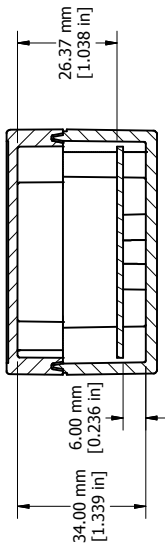
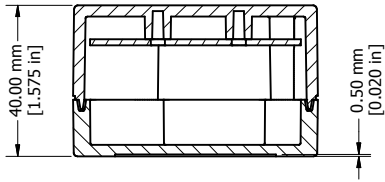


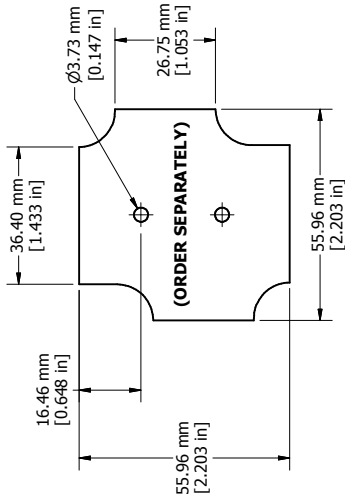
ASSEMBLY



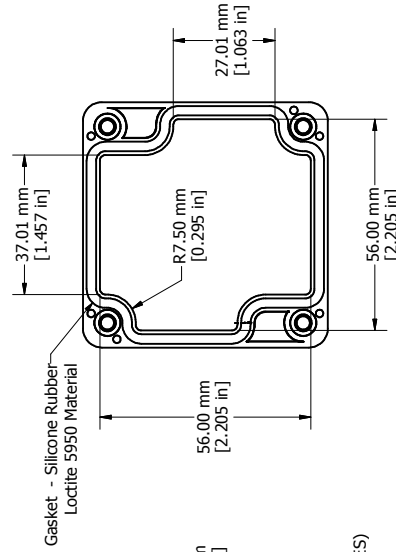
SECTION B-B



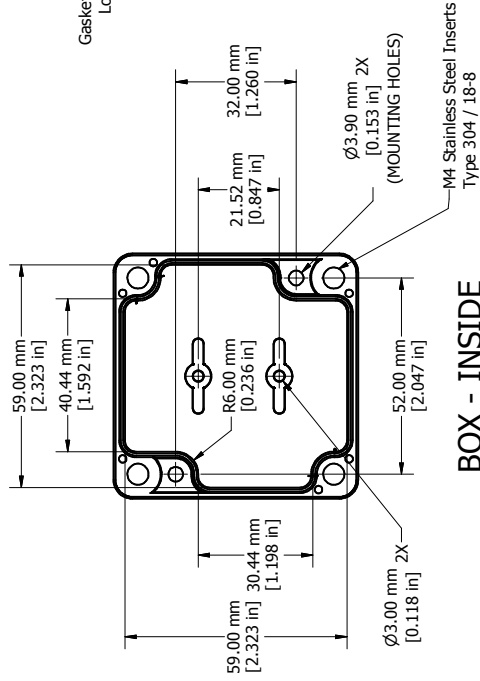
SECTION A-A



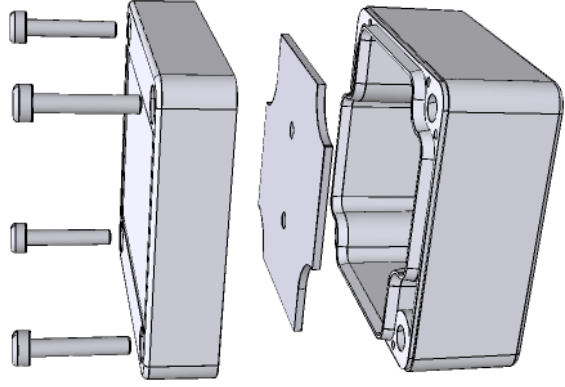
STEEL INNER PANEL



LID - INSIDE



BOX - INSIDE



File #E65324
NEMA 4, 4X

Enclosures can be Factory Modified (Milling, Drilling, Printing etc.)
Solid models of this enclosure available in STEP or IGES.
Contact Factory njm@hammondmgf.com

NOTE

Purchased assembly includes box lid and 4 cover screws
Cover screws should be torqued to 2.5 lbf-in (30 cN-m)
Polycarbonate version is UL 508 approved

1554B	
1554B Regular Enclosure	
General Purpose ABS RAL-7035 UL 94 - HB	1555BGGY
Polycarbonate RAL-7035 UL94 V0 / 5VA @ 3mm	1555B2GGY
ACCESSORIES	
Heavy Duty 16 Gauge Galvanized Steel Panels	1554BPL
Steel Panel / P. C. Board Self Tapping Screw [#6 X 1/4" (6.4mm) Nickel Plated]	1598ATS 100
Cover Screws (Pkg 4)	SC1554
[M4 X 20mm Type 304 Stainless Steel]	

HAMMOND
MANUFACTURING™

1555B

www.hammondmgf.com